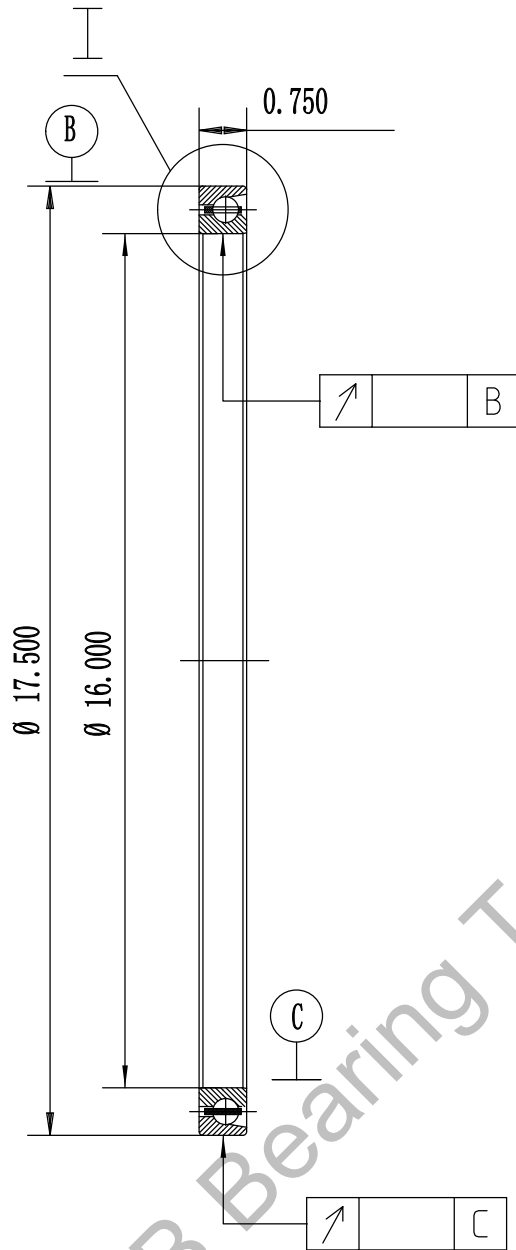
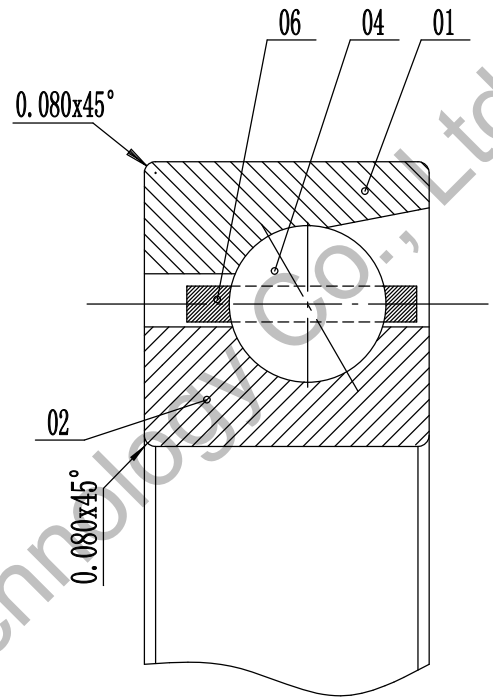


SF160ARO



I enlarged view



1. Radial clearance:



| | | | | | | |
|----|------------|---|------------------|--|--|--|
| 06 | cage | | Brass | | | |
| 04 | steel ball | | AISI 52100 Steel | | | |
| 02 | inner ring | 1 | AISI 52100 Steel | | | |
| 01 | outer ring | 1 | AISI 52100 Steel | | | |

| No. | designation | qty | material | unit | total | remark |
|-----|-------------|-----|----------|------|--------------|--------|
| | | | | | weight (lbs) | |

| | | | | | | | | |
|---|-----------------------------|--|---|--|--------|-------------|---|--|
| Luoyang JCB Bearing Technology Co., Ltd Contact information Company Address : No. 285 Fenghua road, Luoyang, Henan, China. Postal code : 471000 Phone : 0086-379-68611678 Fax : 0086-379-68611679 E-mail: sales@jcb-bearing.com Reserved E-mail: sales@thinsectionbearings.com Website: www.jcb-bearing.com www.thinsectionbearings.com | THIN SECTION BEARING | | SF160ARO | | | | | |
| | | | | | | weight(lbs) | | |
| | | | | | | 7.1 | — | |
| | | | total page 1 | | page 1 | | | |
| | | | Luoyang JCB Bearing Technology Co., Ltd | | | | | |