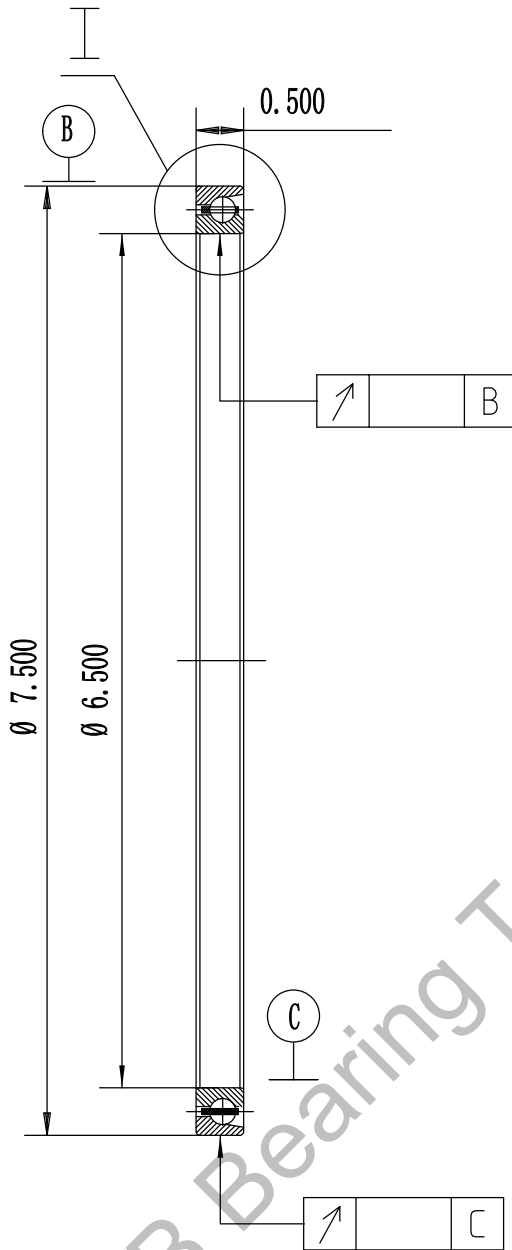
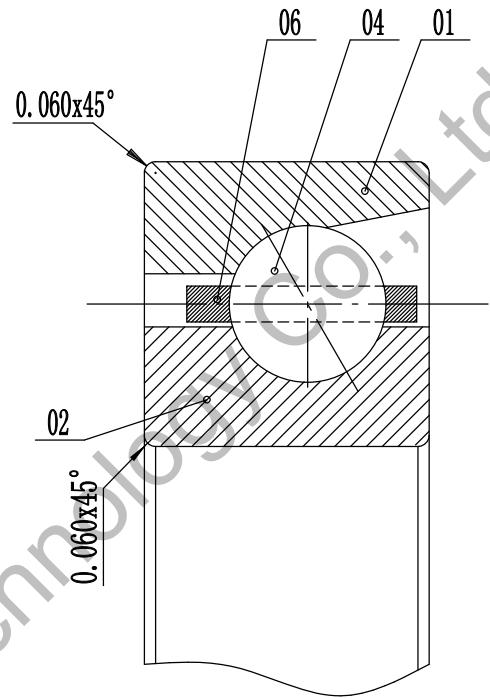


SD065AR0



I enlarged view



1. Radial clearance:



06	cage		Brass			
04	steel ball		AISI 52100 Steel			
02	inner ring	1	AISI 52100 Steel			
01	outer ring	1	AISI 52100 Steel			

No.	designation	qty	material	unit	total	remark
					weight (lbs)	

Luoyang JCB Bearing Technology Co., Ltd Contact information Company Address : No. 285 Fenghua road, Luoyang, Henan, China. Postal code : 471000 Phone : 0086-379-68611678 Fax : 0086-379-68611679 E-mail: sales@jcb-bearing.com Reserved E-mail: sales@thinsectionbearings.com Website: www.jcb-bearing.com www.thinsectionbearings.com			THIN SECTION BEARING			SD065AR0			
								weight(lbs)	
								1.22	—
						total page 1		page 1	
Luoyang JCB Bearing Technology Co., Ltd									