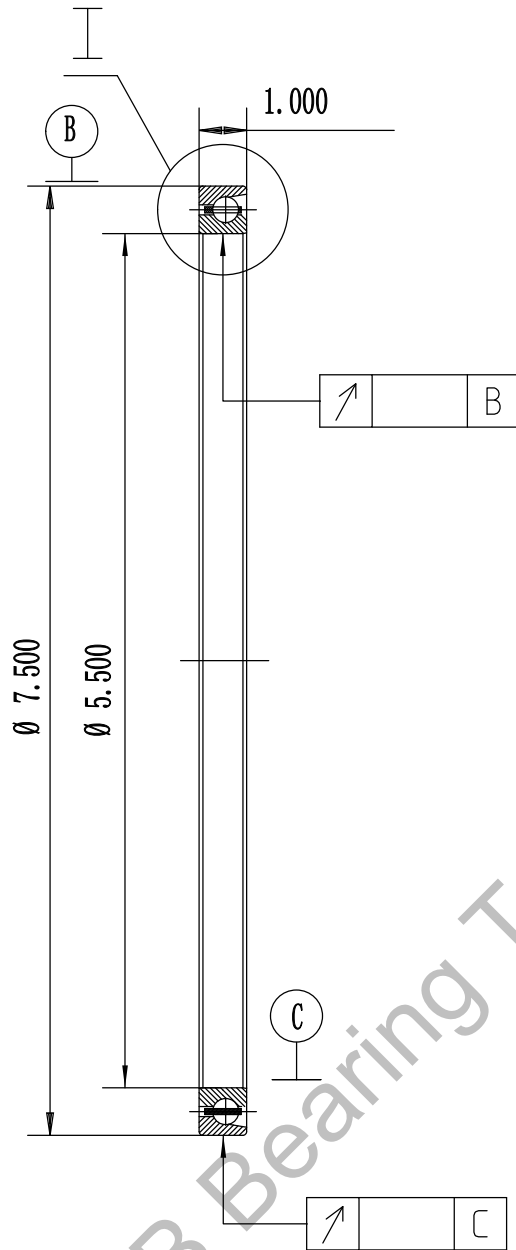
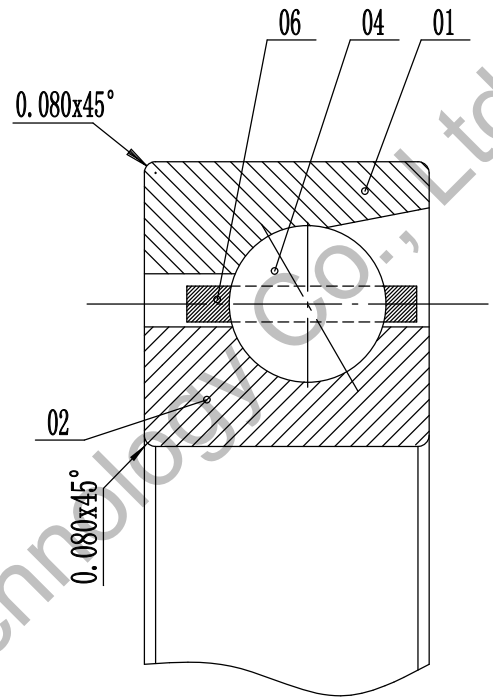


KG055AR0



I enlarged view



1. Radial clearance:



06	cage		Brass			
04	steel ball		AISI 52100 Steel			
02	inner ring	1	AISI 52100 Steel			
01	outer ring	1	AISI 52100 Steel			

No.	designation	qty	material	unit	total	remark
				weight (lbs)		

Luoyang JCB Bearing Technology Co., Ltd Contact information Company Address : No.285 Fenghua road, Luoyang, Henan, China. Postal code : 471000 Phone : 0086-379-68611678 Fax : 0086-379-68611679 E-mail: sales@jcb-bearing.com Reserved E-mail: sales@thinsectionbearings.com Website: www.jcb-bearing.com www.thinsectionbearings.com	THIN SECTION BEARING			KG055AR0		
						weight(lbs)
			4.73			—
	total page 1		page 1			
	Luoyang JCB Bearing Technology Co., Ltd					