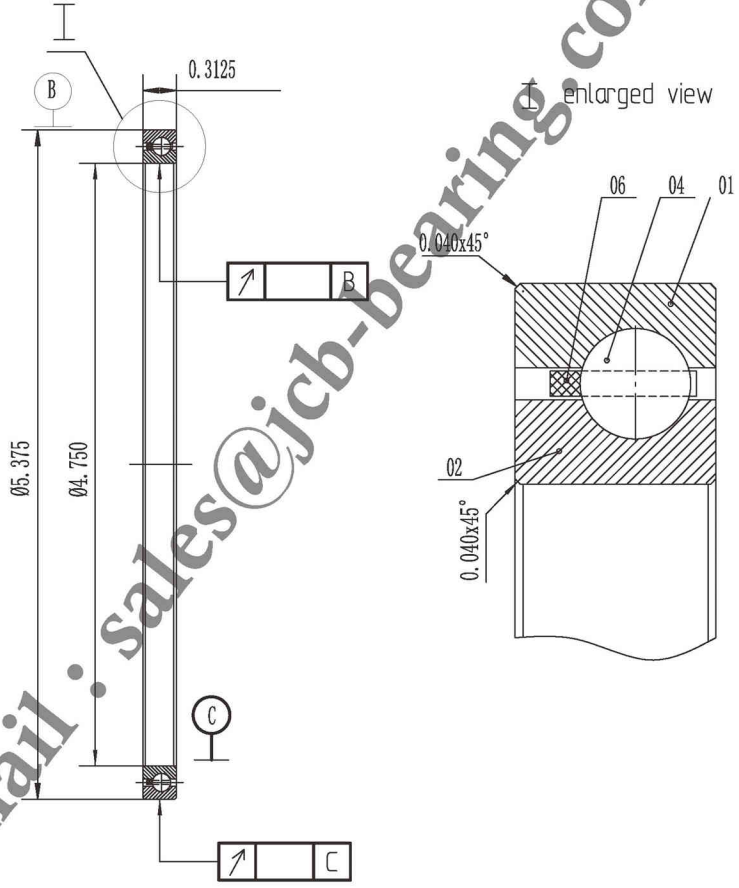


KB047CP0



1. Radial clearance:

06	cage		nylon			
04	steel ball		ATSI 52100 Steel			
02	inner ring	1	ATSI 52100 Steel			
01	outer ring	1	ATSI 52100 Steel			

No.	designation	qty	material	unit	total	remark
				weight (lbs)		

Luoyang JCB Bearing Technology Co., Ltd  
 Contact information  
 Company Address : No.286 Fenghua road, Luoyang, Henan, China.  
 Postal code : 471000  
 Phone : 0086-379-68611678 Fax : 0086-379-68611679  
 E-mail: sales@jcb-bearing.com  
 Reserved E-mail: sales@thinsectionbearings.com  
 Website: www.jcb-bearing.com  
 www.thinsectionbearings.com

THIN SECTION BEARING

KB047CP0

		weight(lbs)	
		0.34	—
total page 1		page 1	