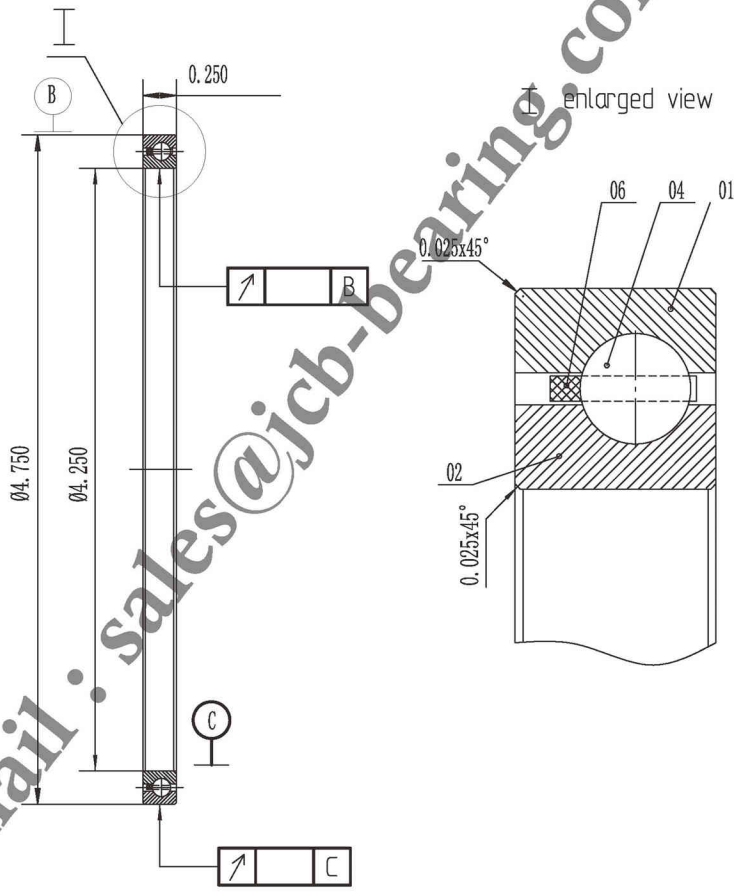


KA042CPO



1. Radial clearance:

06	cage		nylon			
04	steel ball		AIISI 52100 Steel			
02	inner ring	1	AIISI 52100 Steel			
01	outer ring	1	AIISI 52100 Steel			

No.	designation	qty	material	unit	total	remark
				weight (lbs)		

Luoyang JCB Bearing Technology Co., Ltd
 Contact information
 Company Address : No.286 Fenghua road, Luoyang, Henan, China.
 Postal code : 471000
 Phone : 0086-379-68611678 Fax : 0086-379-68611679
 E-mail: sales@jcb-bearing.com
 Reserved E-mail: sales@thinsectionbearings.com
 Website: www.jcb-bearing.com
 www.thinsectionbearings.com

THIN SECTION BEARING

KA042CPO

		weight(lbs)	
		0.20	—
total page 1		page 1	